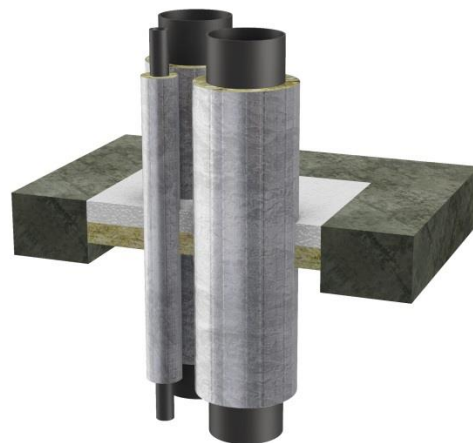


DECLARATION OF PERFORMANCE

Date of Issue: 25.05.2015

FIRESAFE GPG MORTAR, Fire stopping System.

GPG-sealant is used as a fire penetration seal in flexible and concrete walls and floors.



This DoP is pursuant of REGULATION (EU) No 305/2011 OF THE EUROPEAN PARLIAMENT AND OF THE COUNCIL of 9 March 2011 (CPR), and the technical specification: ETA 15/0026

Prepared by:	Pål Paulsen
Competence:	Fire Technical Consultant, FIRESAFE AS
Controlled by:	Atle Killerud
Position:	Technical. Manager, FIRESAFE AS
Verification by:	Morten Chr. Ameln
Position:	CEO, FIRESAFE AS
Manufacturer:	Firesafe AS, PO Box 6411 – Etterstad, N-0605 OSLO
Date of Issue:	25 th May 2015
Issue Status:	1

DECLARATION OF PERFORMANCE

According to Annex III of the Regulation (EU) No.305/2011 (Construction Products Regulation)

**FIRESAFE GPG-MORTAR
DoP No. FIR/PP/GPG-25-05-2015 – WM 15/0026**

1. Unique identification code of the product-type:

FIRESAFE GPG-MORTAR, Fire Stopping System

2. Type, Batch or serial number or any other element allowing identification of the construction product as required under Article 11(4):

**FIRESAFE GPG MORTAR is available in bags of 25 or 15 litres , and plastic buckets of 20, 10 or 5 litres.
Boards of 30x600x800 mm, Bricks of 40x80x200 mm. Batch-number on every item.**

3. Intended use or uses of the construction product, in accordance with the applicable harmonized technical specification:

Penetration seals in fire resistant walls and floors	Cables, pipes, joints and blank penetrations	The field of application has to comply with the content of the ETA-15/0026
---	---	---

4. Name, registered trade name or registered trade mark and contact address of the manufacturer as required under Article 11(5):

**Firesafe AS
Robsrudskogen 15, NO-1470 Lørenskog
P.O.Box 6411 Etterstad, NO-0605 OSLO
Telephone: +47 09110
www.firesafe.no**

5. Where applicable, name and contact address of the authorised representative whose mandate covers the tasks specified in Article 12(2):

Not applicable

6. System or systems of assessment and verification of constancy of performance of the construction product as set out in Construction Products Regulation (CPR) – Annex V:

AVCP System 1

7. In case of the declaration of performance concerning a construction product covered by a harmonized standard:

Not applicable

8. In case of declaration of performance concerning a construction product for which a European Technical Assessment has been issued:

FIRESAFE GPG-MORTAR has been issued a European Technical Assessment (ETA-15/0026) by the Technical Assessment Body (TAB) SINTEF Building and Infrastructure P.O. Box 124 Blindern, NO-0314 OSLO on the basis of ETAG 026-part 1 and 2.

Notified Body, SP Technical Research Institute of Sweden, has performed the initial inspection of manufacturing plant. Notified Body, SINTEF Building and Infrastructure, performs the continuous surveillance, assessment and approval of the factory production on a regular basis according to the AVCP-system 1 and issued the following Certificate of Constancy of performance: no 1071-CPR-7002.

9. Declared performance:

Product characteristics	Test method	Declared performance	Technical Specification
Reaction to Fire. ETA Clause No 3.1	Classified Testing, in accordance with EN 13501-2:2007 +A1:2009.	Class A1	ETA 15/0026
Resistance to Fire for the penetration seal. ETA Clause No 3.2	Tested in accordance with EN 1366-3:2009. Classified in accordance with EN 13501-2:2007 +A1:2009	≤ EI 120	
Air permeability. ETA Clause No 3.4	EN 1026	The cured product is air tight	
Water permeability. ETA Clause No 3.5		NPD	
Release of dangerous substances. ETA Clause No 3.3	EMICODE and ISO 16000	Declaration is complete	
Mechanical resistance and stability and Resistance to impact/movement. . ETA Clause No 3.6 and No 3.7	ETAG 026-2, clause 2.4.7 EOTA TR 001, February 2003	Zone type I to IV I according to EOTA TR 001	
Adhesion. ETA Clause No 3.8	ETAG 026-2, clause 2.4.7	Verified	
Airborne sound insulation. ETA Clause No 3.9	EN ISO 10140 (EN ISO 140-3) and EN ISO 717-1. The test specimens were mounted in a wall opening with size 1500x1200 mm using wedges and sealed using caulking compound.	30mm. 34 (db) 50mm. 37 (db) 100mm. 42 (db)	
Thermal properties. ETA Clause No 3.10	EN 12664/EN 12667 Thermal conductivity. Thermal resistivity, λ [W/mK].	Density 753.1: resistivity, λ [W/mK].0.1230. Density 875.3: resistivity, λ [W/mK].0.1412.	
Water vapour permeability ETA Clause No 3.11	Tested according to NS-EN ISO 12572	S _d -value: 0.068 m.	
Durability, Serviceability ETA Clause No 3.12	<i>Compressive strength after 24 h and fully dried (after drying to constant mass at 30°C-35°C)</i> ETAG 026 Part 2 Annex B, B.5.1.2 – Test method EN 1015-11	Use category Z ₂ according to ETAG 026-2	

10. The performance of the product identified in points 1 and 2 is in conformity with the declared performance in point 9.
This declaration of performance is issued under the sole responsibility of the manufacturer identified in point 4.
11. Signed for and on behalf of the manufacturer by:

		
---	---	---

Mr. Pål Paulsen
Fire Techn. Consultant

Mr. Atle Killerud
Techn.Manager

Mr. Morten Ameln
CEO

Oslo, 25.05.2015